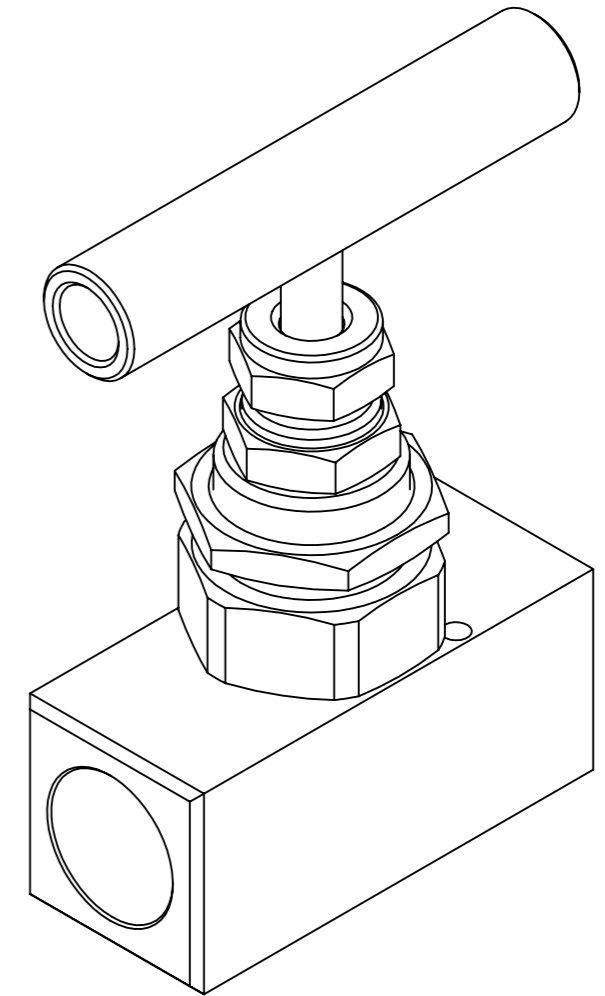
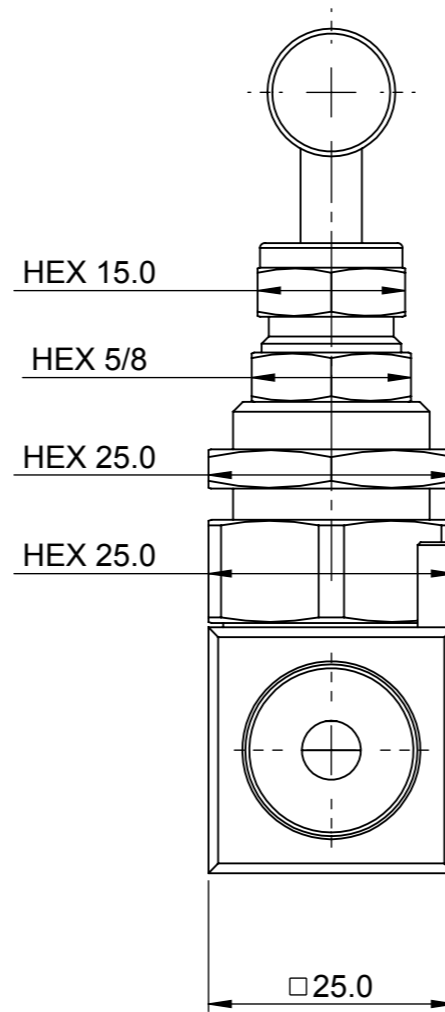
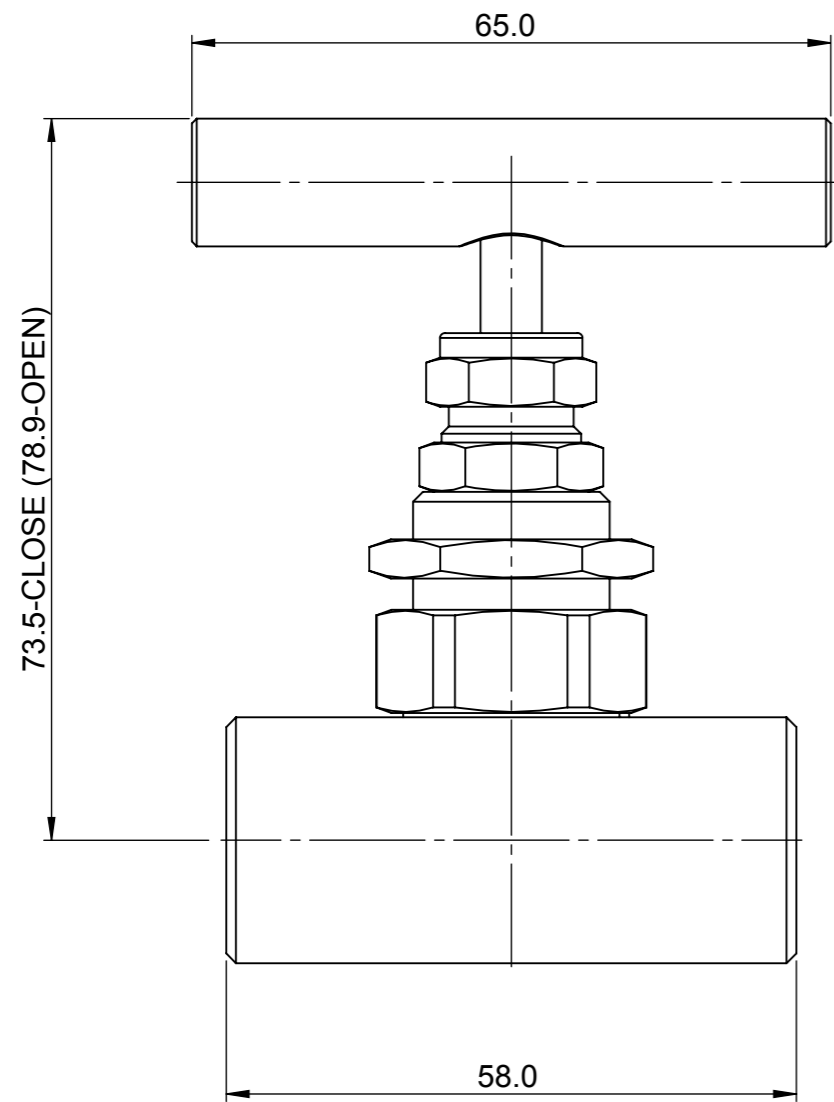



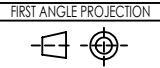
THIS DRAWING AND INFORMATION INCLUDED, ARE THE CONFIDENTIAL PROPERTY OF HAM-LET LTD AND ARE LOANED TO YOU FOR A LIMITED PURPOSE. NEITHER BE COPIED EXHIBITED OR FURNISHED TO OTHERS IN ANY FORM WITHOUT THE WRITTEN CONSENT OF HAM-LET LTD.



CUSTOMER APPROVAL

Company: _____
 Name : _____
 Position : _____
 Signature : _____
 Date : _____

TECHNICAL DATA	
	8000PSI @ 70°F
MAWP	552BAR @ 21°C
	1200°F @ 100PSI
MAWT	648°C @ 6.9BAR

 HAM-LET GROUP P.O.BOX 824 Nazareth Illit, 17000 Israel mail@ham-let.co.il		FIRST ANGLE PROJECTION	
			
Approvals		Prod. Name: CUSTOMER DRAWING	
Drawn	Engineering	Description: H-99S-10-SS-PSW-V-3/8-G	
Name: S.S.	Name: S.K.	Part No:	
Sign:	Sign:	Not for scale	
Date: 23/04/2020	Date: 23/04/2020	Rev: Draft	Sheet 1 OF 1